



ISRA UNIVERSITY

Islamabad Campus

**B.TECH (Electrical)
Semester – Spring 2018**

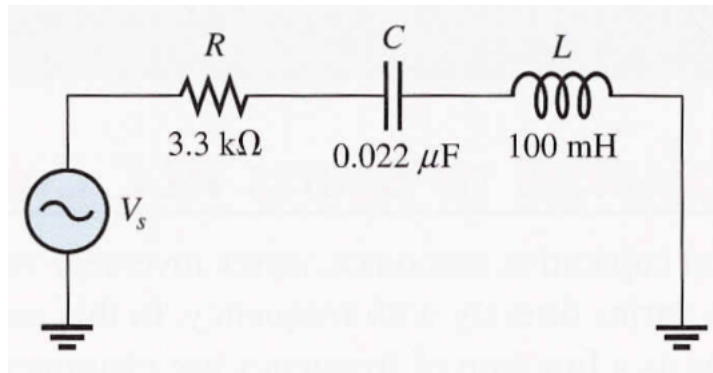
ETCA-252 Circuit Analysis-2

**Quiz – 3
Marks: 20**

Handout Date: 21/05/2018

Question # 1:

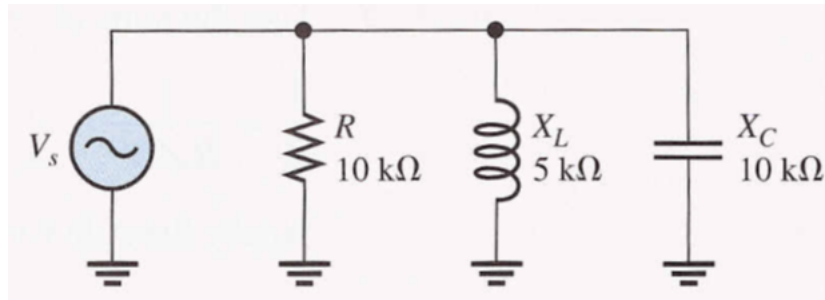
For each of the following input frequencies, find the impedance in polar form for the circuit shown below.



1. $f = 2\text{kHz}$
2. $f = 5\text{kHz}$

Question # 2:

For the RLC circuit in figure below determine the conductance, capacitive susceptance, inductive susceptance and total admittance. Also determine the impedance.



Good Luck